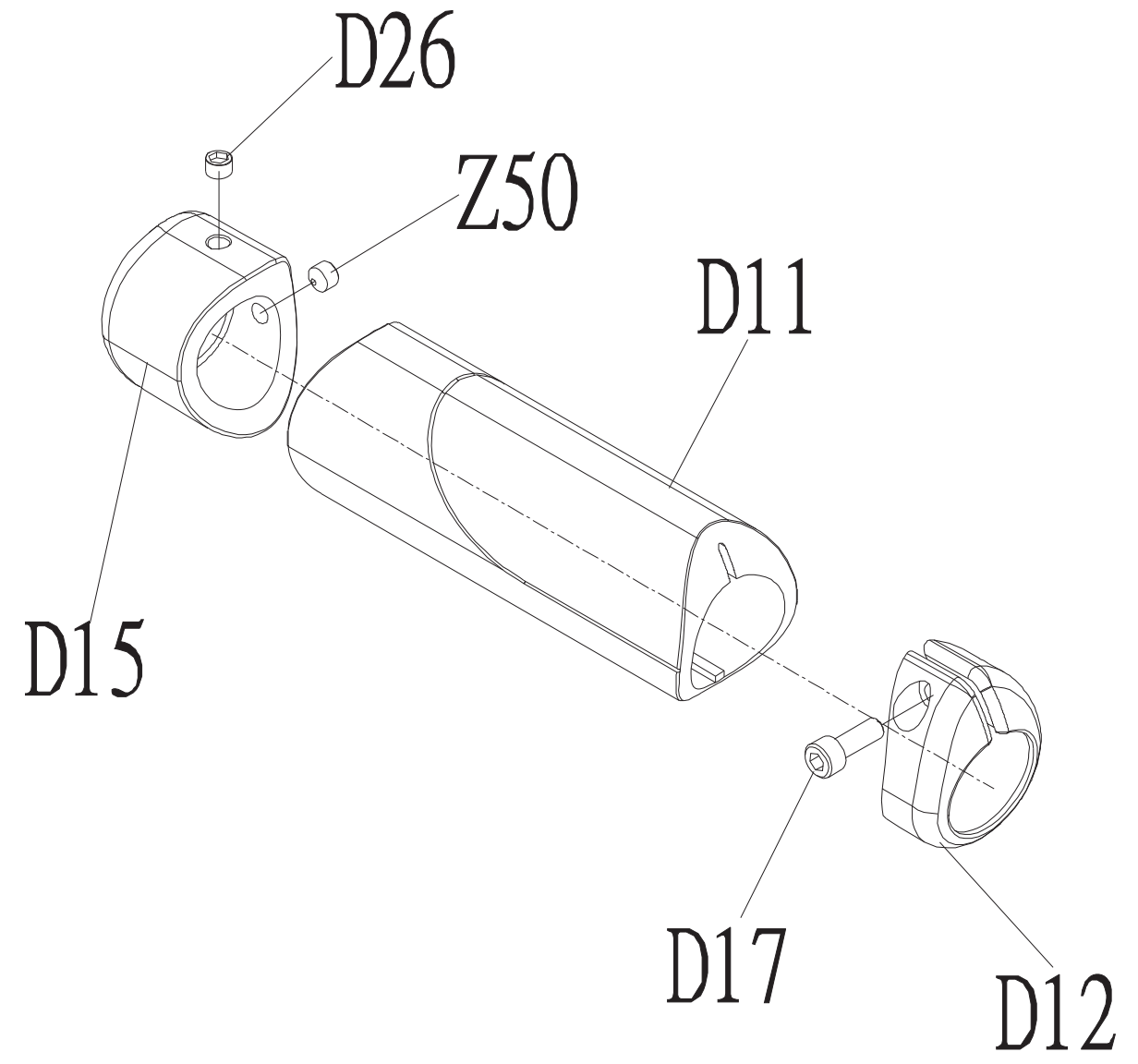


230 Lbs weight stack

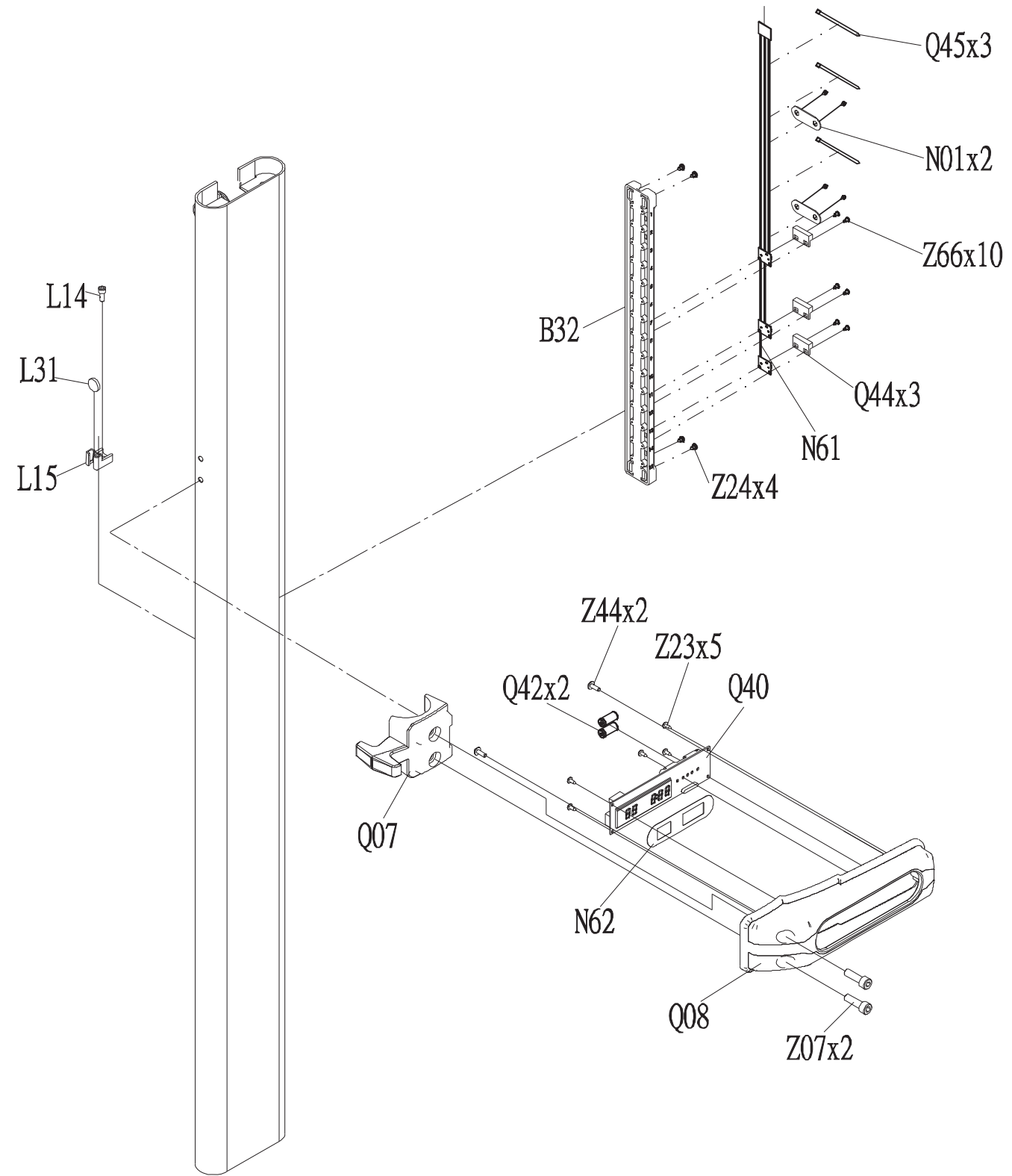
DRAWING NO	
PART NAME	Grip Set;Peadal Arm
PART NO	096179
APPROVE	ARES
DATE	20111212
	REV A

Note: Part of Premium Kit Only



DRAWING NO			
PART NAME	SENSE ORGAN SET		
PART NO	1000200250	REV	A
APPROVE	JOHN	DATE	20120711

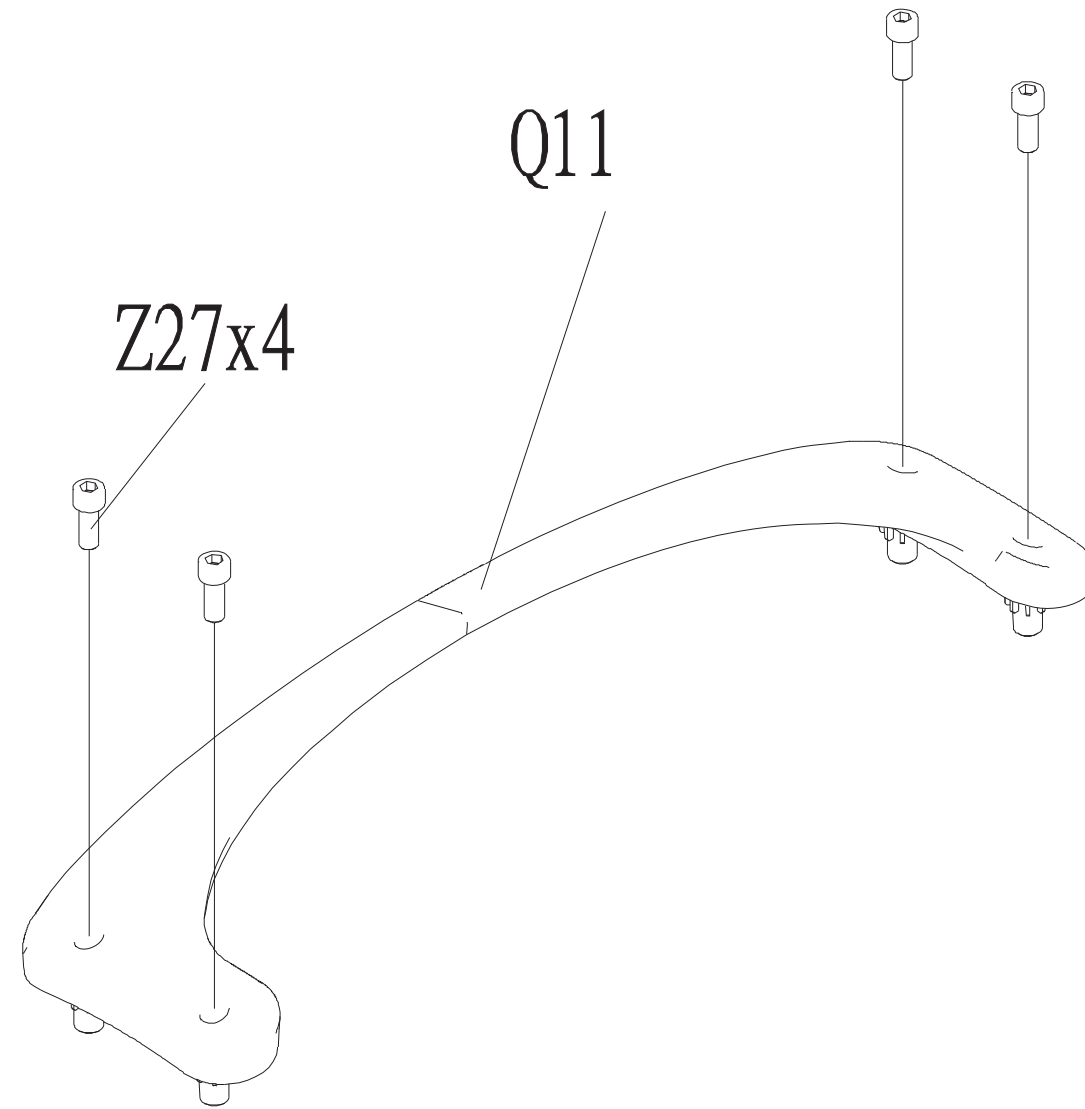
Note: Part of Premium Kit Only



DRAWING NO	
PART NAME	SHIELD SET;U
PART NO	1000220477
APPROVE	JOHN DATE 20120711

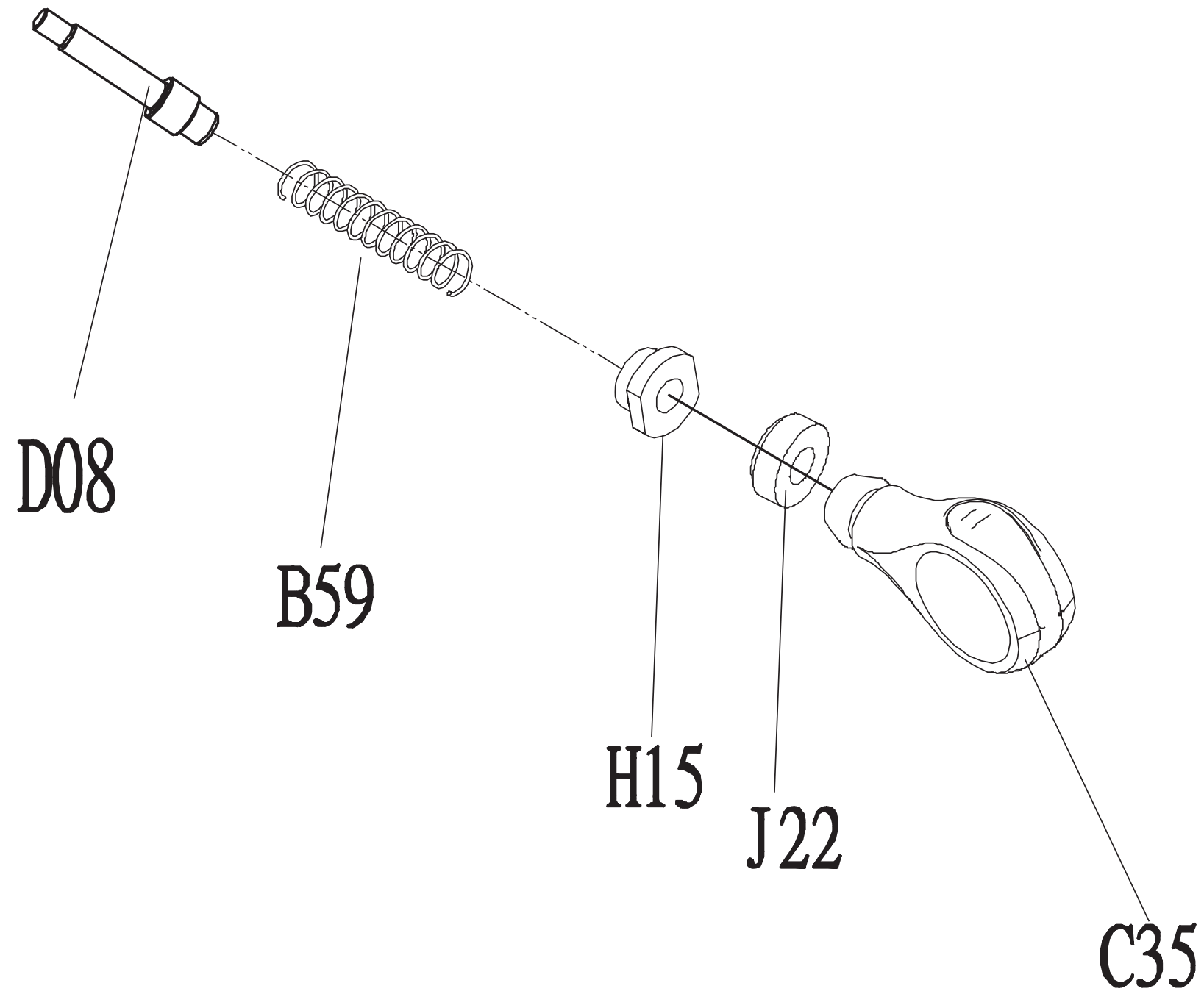
REV
A

Note: Part of Premium Kit Only



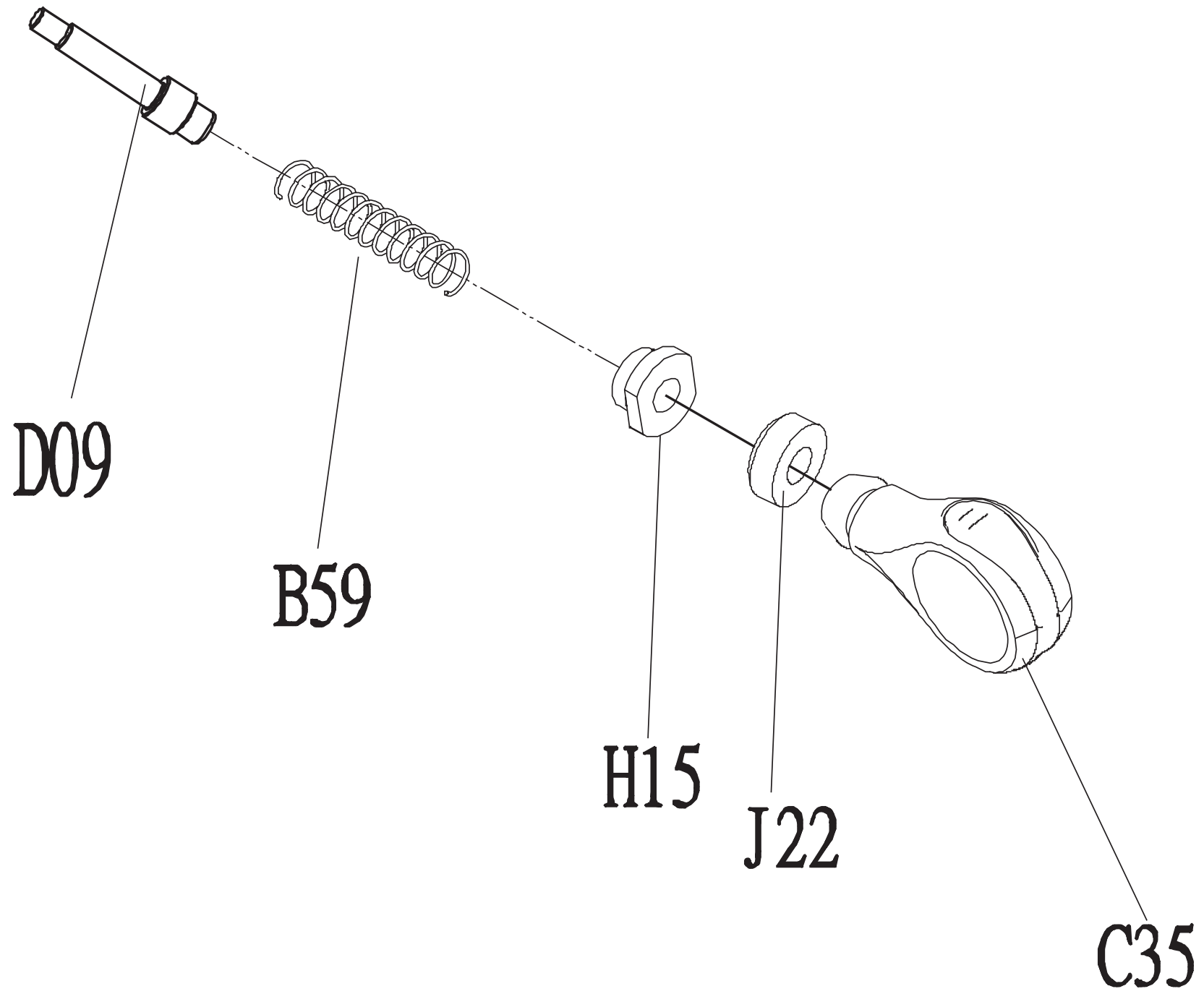
DRAWING NO	
PART NAME	PULL PIN SET;SERVICE
PART NO	1000226575 REV A
APPROVE	BONNIE DATE 20111111

Note: Part of Premium Kit Only



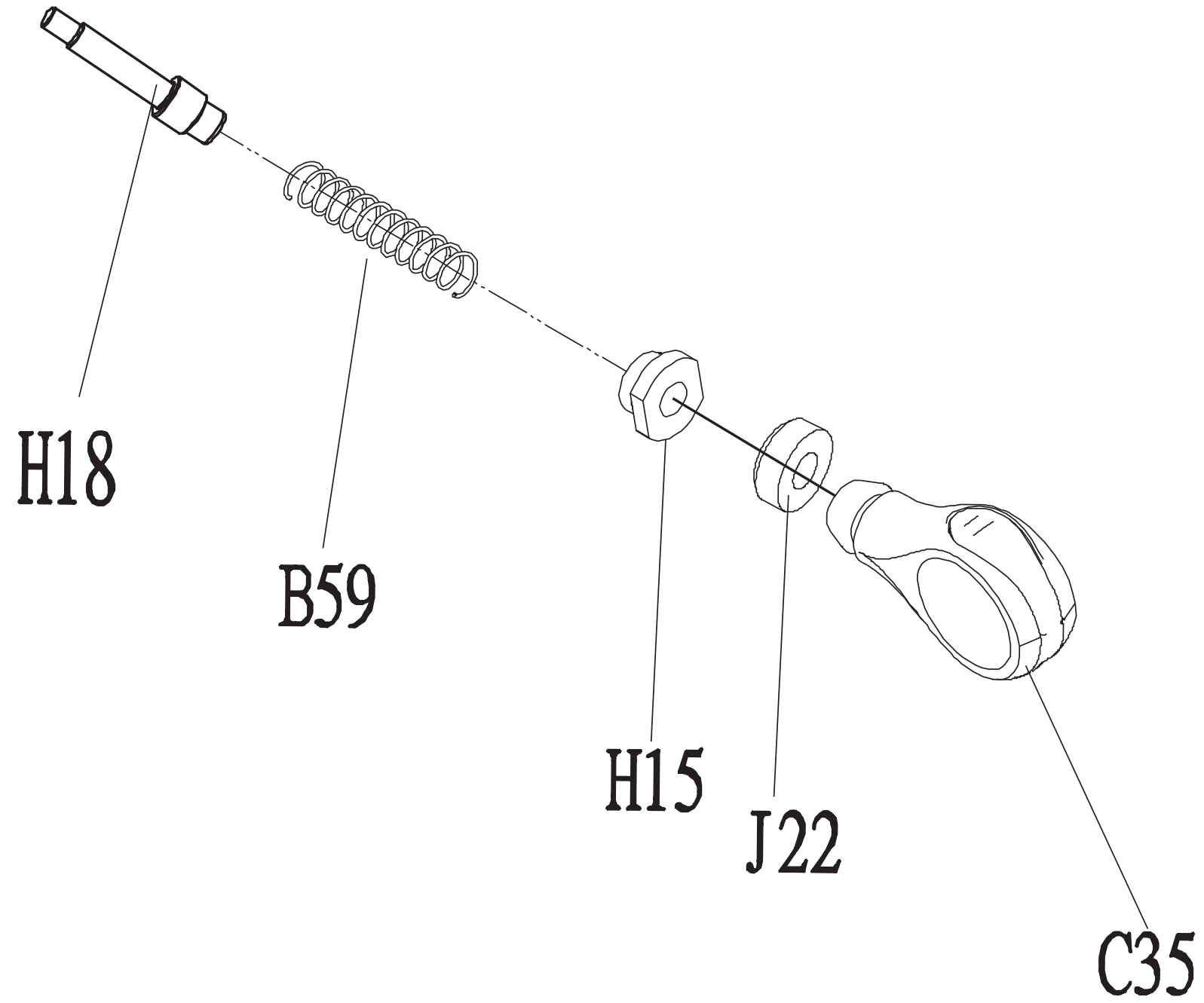
DRAWING NO	
PART NAME	PULL PIN SET;PREMIUM
PART NO	1000226576 REV A
APPROVE	BONNIE DATE 20111111

Note: Part of Premium Kit Only



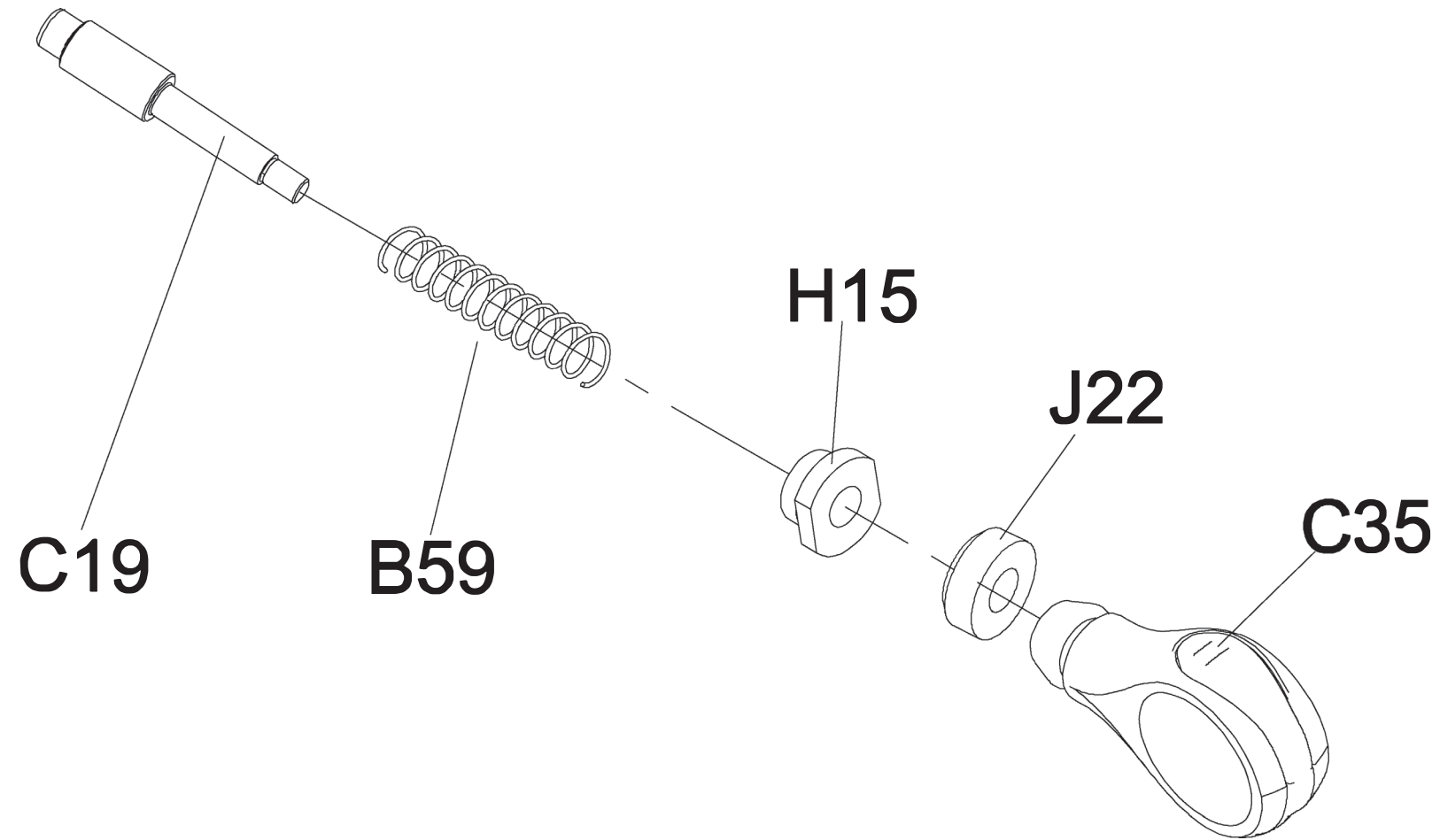
DRAWING NO	
PART NAME	PULL PIN SET;SERVICE
PART NO	1000226577 <small>REV</small> A
APPROVE	BONNIE <small>DATE</small> 20111111

Note: Part of Premium Kit Only

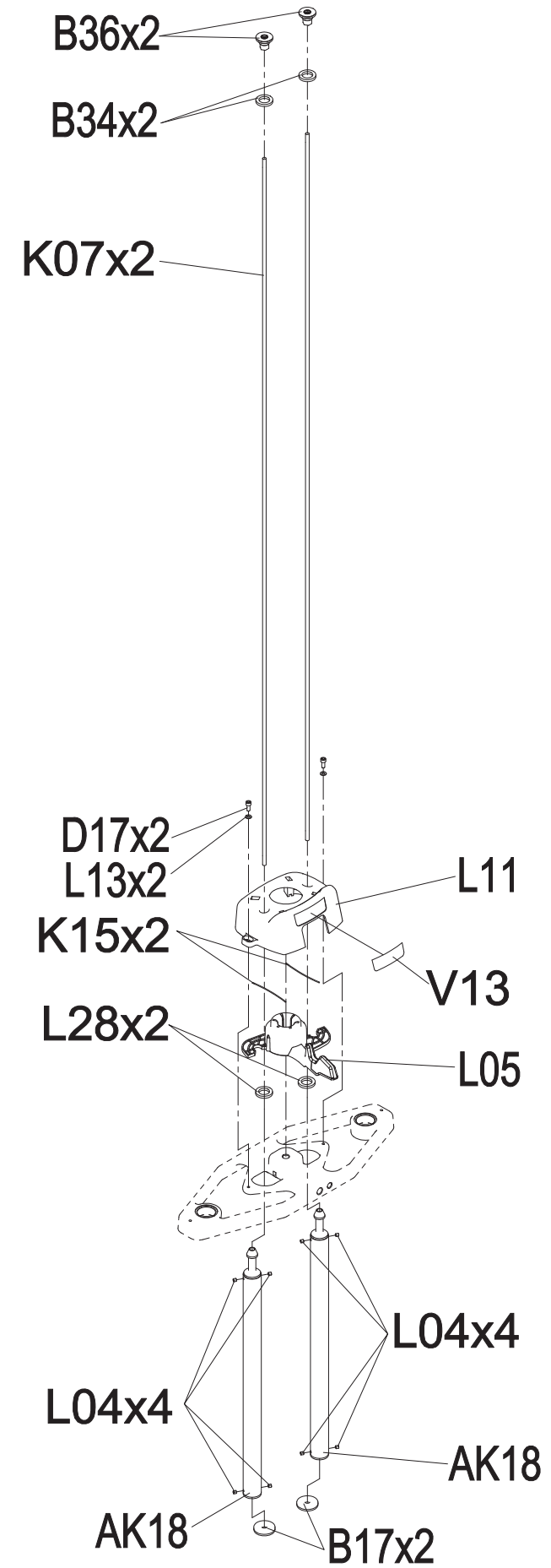


DRAWING NO	GM105P-SF03		
PART NAME	Pin set;Semi-Assy;		
PART NO	1000371985	REV	A
APPROVE	KNIGHT	DATE	10122016

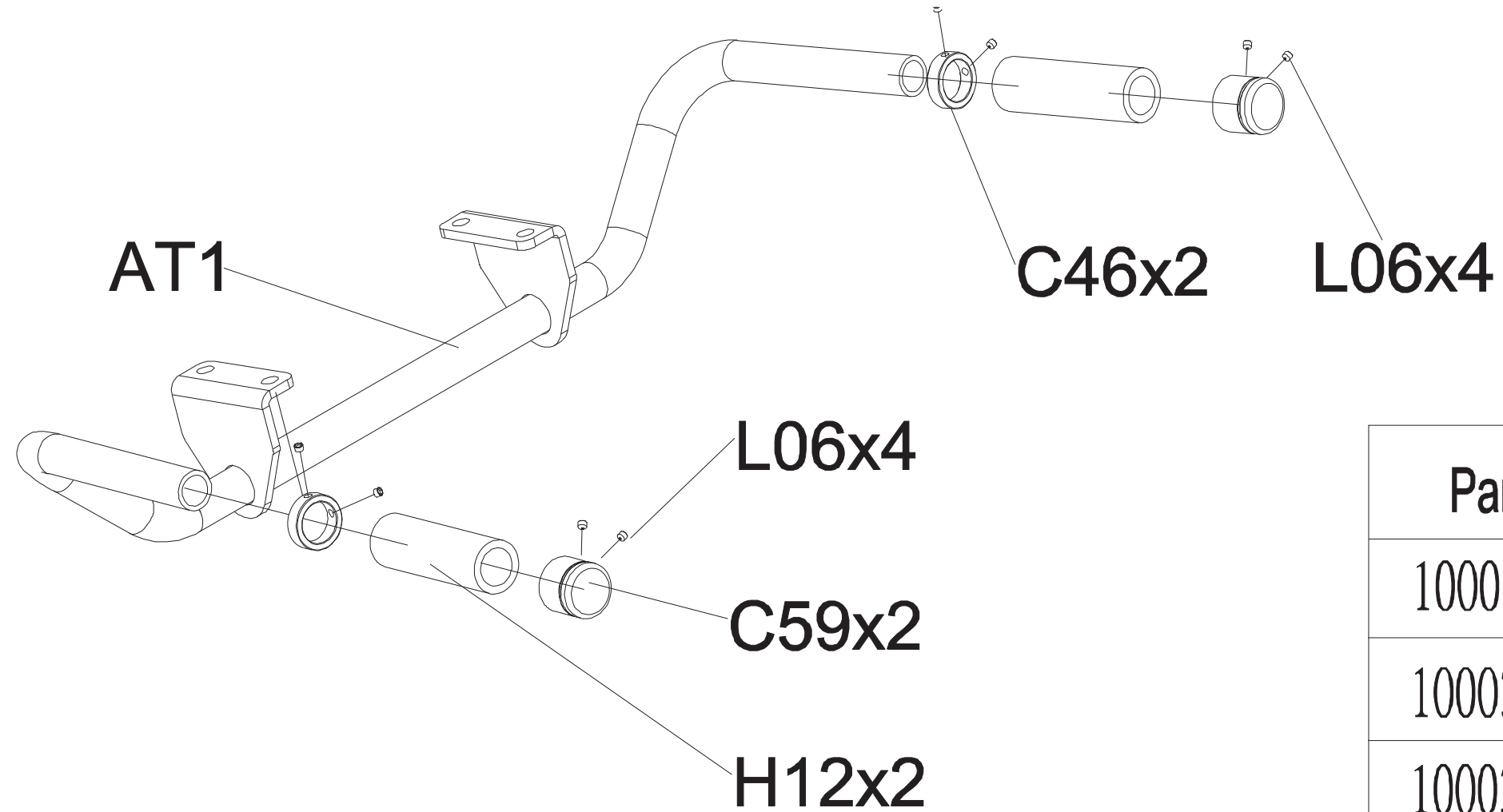
Note: Part of Premium Kit Only



DRAWING NO	GM59-SF05		
PART NAME	Part Explosive Diagram		
PART NO	1000113110	REV	A
APPROVE	SuYehua	DATE	2023.06.06



DRAWING NO	GM105-SF01		
PART NAME	Handle Set;Paint;		
PART NO	See Chart	REV	A
APPROVE	KNIGHT	DATE	10122016



Part NO.	Color
1000393999	Iced Sliver
1000394001	Mat Black
1000394003	Platinum
1000394005	Polarized Titanium
1000394007	Lace White
1000394009	BlackGlossy
1000396469	Pearl White

DRAWING NO	GM105-SF02		
PART NAME	Leg Press Set;Paint;		
PART NO	See Chart	REV	A
APPROVE	KNIGHT	DATE	10252016

L06x4

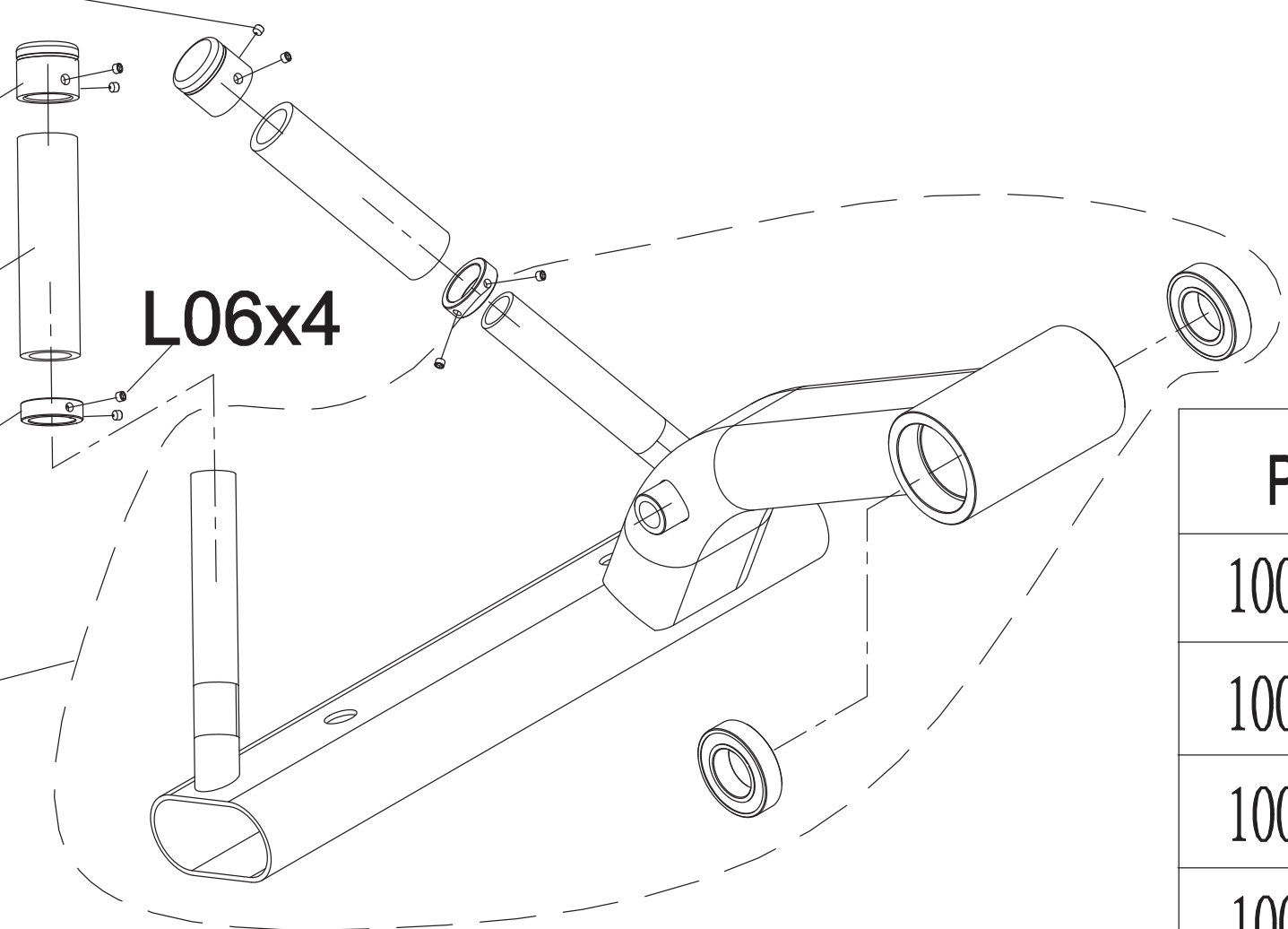
C59x2

H12x2

C46x2

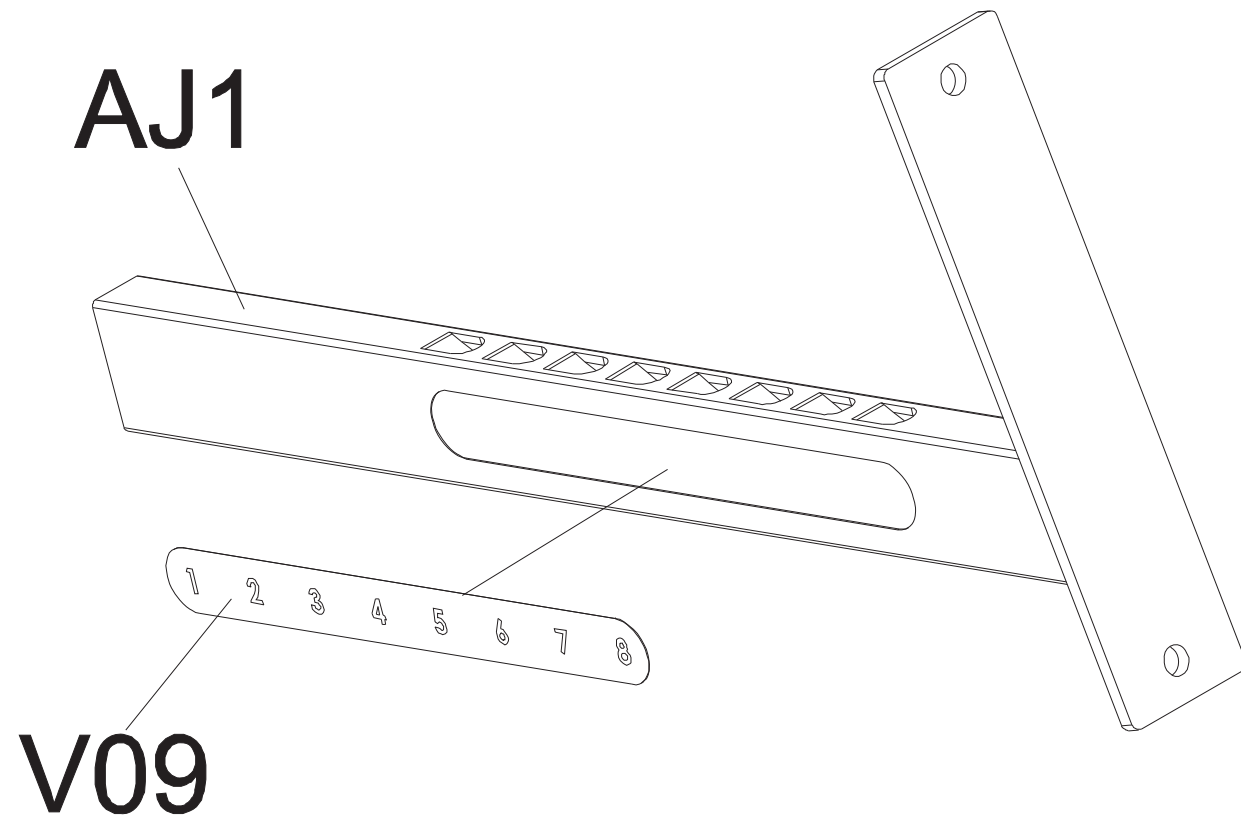
AH11

L06x4

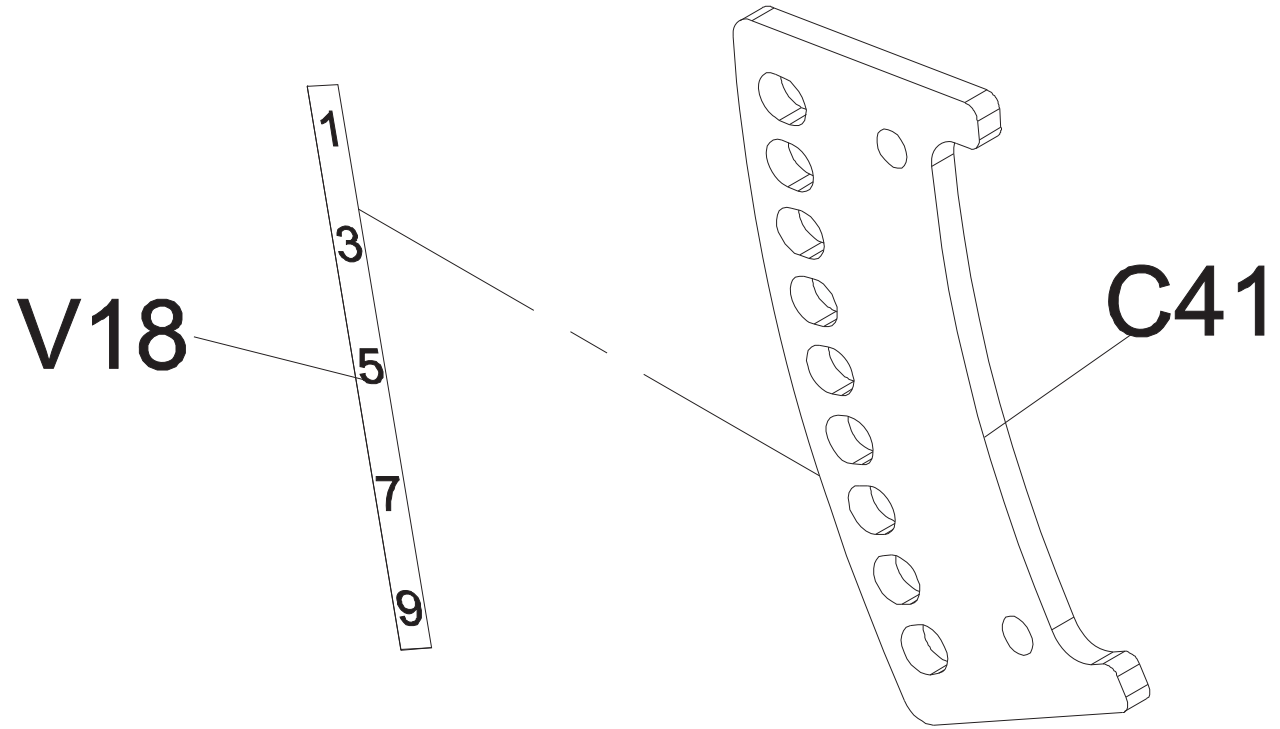


Part NO.	Color
1000394109	Iced Sliver
1000394111	Mat Black
1000394114	Platinum
1000394116	Polarized Titanium
1000394118	Lace White
1000394120	BlackGlossy
1000396486	Pearl White

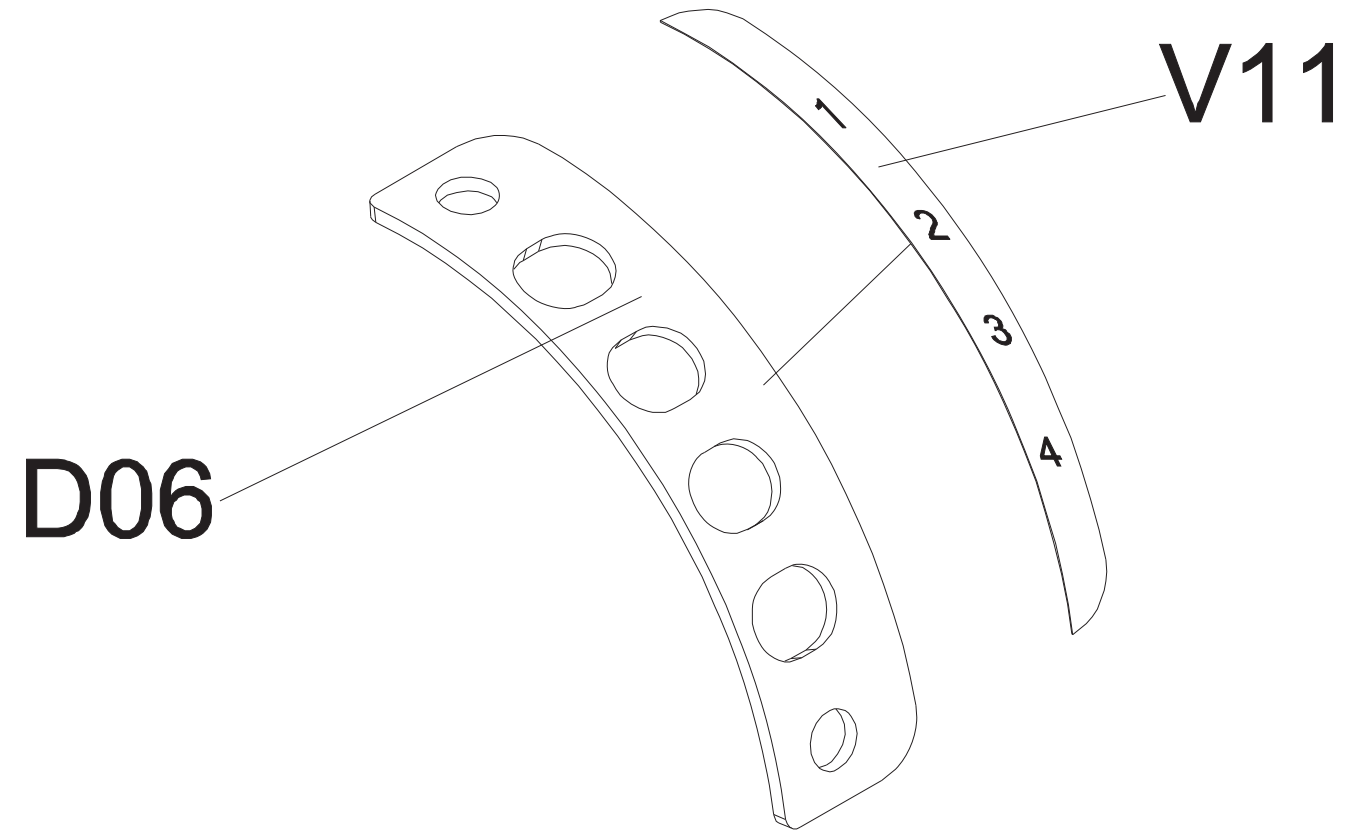
DRAWING NO	GM105-SF03		
PART NAME	Back pad adjust set		
PART NO	1000398020	REV	A
APPROVE	KNIGHT	DATE	10122016



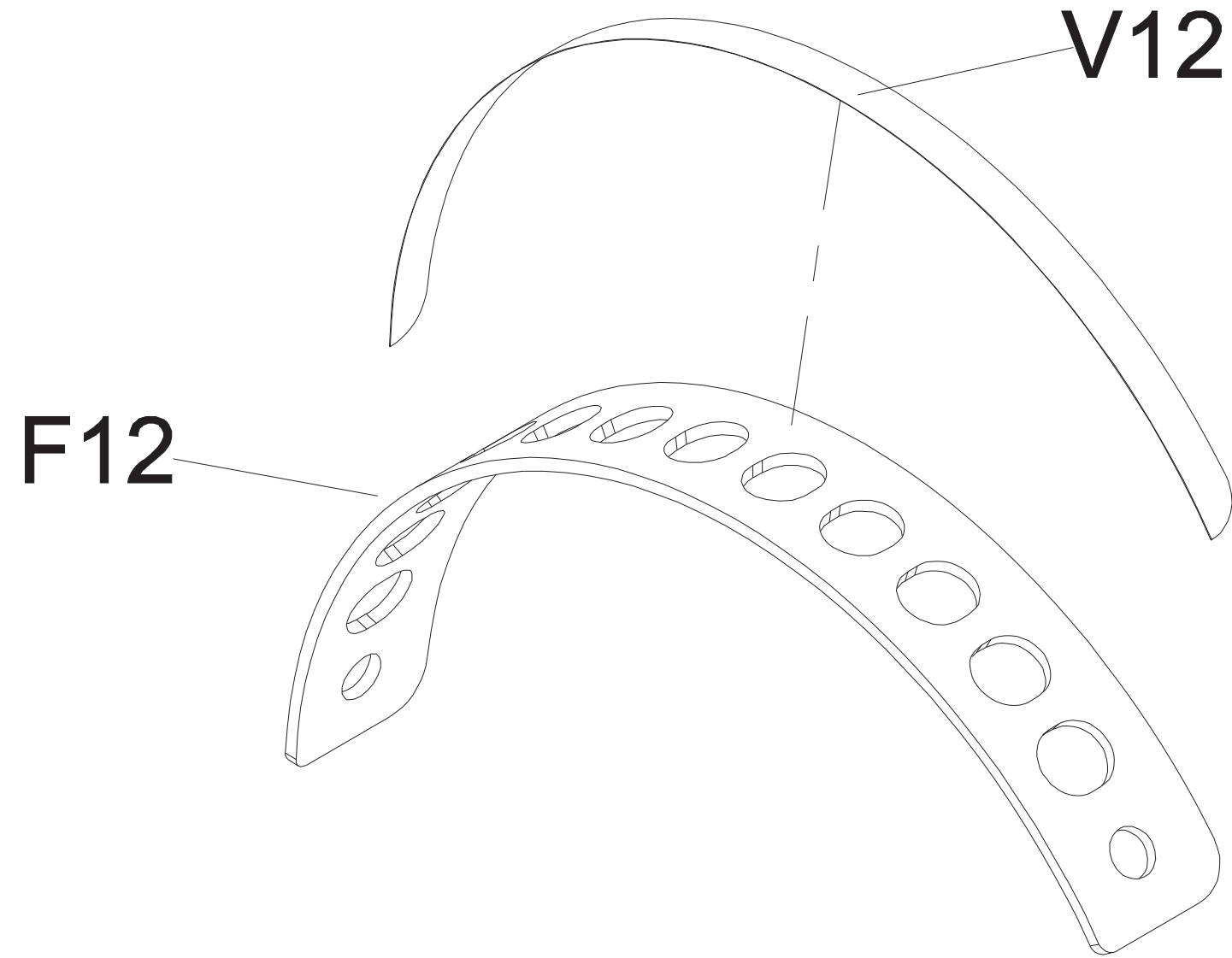
DRAWING NO	GM105-SF04		
PART NAME	ADJ Plate Set;Leg Pad;UP		
PART NO	1000398022	REV	A
APPROVE	KNIGHT	DATE	10122016



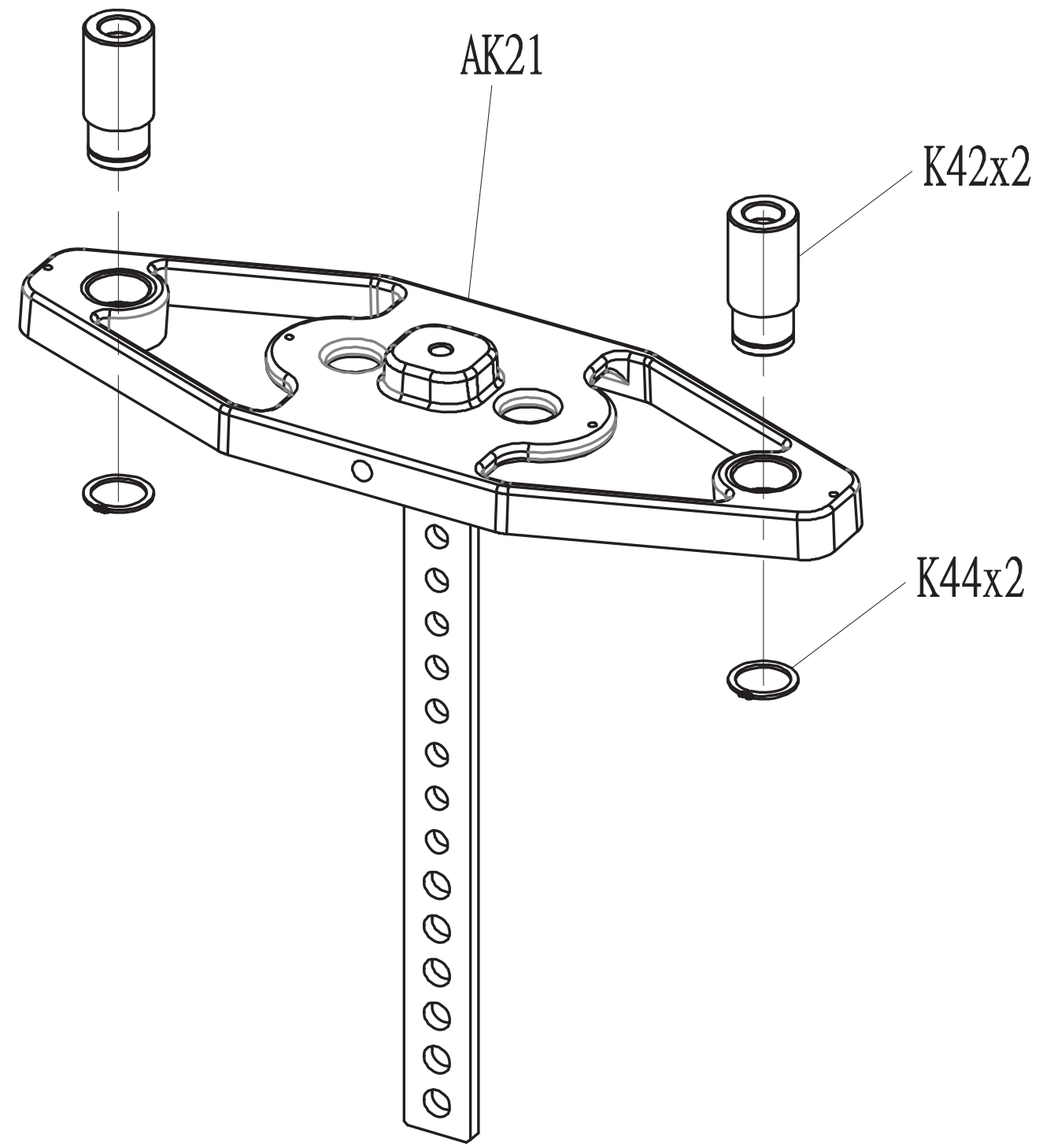
DRAWING NO	GM105-SF05		
PART NAME	ADJ Plate Set;Leg Pad;down		
PART NO	1000398024	REV	A
APPROVE	KNIGHT	DATE	10122016



DRAWING NO	GM105-SF06		
PART NAME	ADJ Plate Set;Adjustment Axle		
PART NO	1000398034	REV	A
APPROVE	KNIGHT	DATE	10122016



DRAWING NO	GM59-AK23		
PART NAME	Select the group		
PART NO	1000448863	REV	A
APPROVE	WangTao	DATE	2020.01.03



Bubble#	OEM Number	Description	Notes
10	1000113110	Assistant Weight Plate Set GM59-KM	Incremental Weight Plate Set
2	1000394109	Leg Press Set Semi-Assy Iced Sliver G	
3	1000398020	Back pad adjust set GM105 Service	
4	1000398022	ADJ Plate Set Leg Pad up GM105 Service	
5	1000398024	ADJ Plate Set Leg Pad down GM105 Servi	
6	1000398034	ADJ Plate Set Adjustment Axle GM105 S	
7	1000207217	Wps Superstratum GM59	
AC3	1000394079	stabilizer set M painting Iced Sliver	
AD11	1000394091	Pedal Arm set Semi-Assy Iced Sliver G	
AD14	1000394053	Support set Semi-Assy Iced Sliver GM1	
AD2	1000394103	Kick set painting Iced Sliver GM105 S	
AF1	1000394085	Cam welding set painting Iced Sliver	
AF2	1000394047	Adjustable Set painting Iced Sliver G	
AJ2	1000394011	Fix Tube Set Back Pad painting Iced Sl	
AJ3	1000345510	Pin set Back pad adjust GM61 Service	
AJ4	1000226573	PULL PIN SET SERVICE GM61 ONE	
AJ5	1000306602	Pull Pin Set FW210-KM assembly	
AJ6	1000226568	PULL PIN SET THREE GM61 SERVICE	
AK13	1000215667	Weight Plate axle sleeve - Extrawork,10LBS GM	
AK14	1000215776	WPS set axle sleeve - Extrawork,15LBS GM	
AK21	1000207218	Wps Set Superstratum Paint GM59	
B10	1000230611	SUPPORT PLATE WHEEL SPHC CHM GM59	
B13	1000112985	Elastomer Weight Plate GM59	
B17	1000112984	Elastomer Assistant Weight Plate GM59	
B18	1000200252	RUBBER STOPPER - GM59	
B25	1000204728	FIXING PLATE ROPE WHEEL SPHC GM59-KM	
B32	1000096026	Fixing Base Sensor ABS GM40	
B34	1000215843	PLASTIC PLATE FRAME CR -	
B35	1000230891	SCREW SET M10X1.5PX65L FLATHEADED HS C	
B36	1000215844	Guide Rod fitting, Chromed	
B37	1000393973	block Cover painting Iced Sliver GM59	
B38	073573	Pulley 115mm	
B50	1000393987	Sleeve CON Tube painting Iced Sliver G	

B59	1000393222	Spring Compression 1.3x12.7x38Lx7 SWP	
B75	1000303546	Plastic Pad Foot Pad - PP BL427	
B76	1000233200	PLASTIC COVER NBR BL	
C16	1000362248	Stopper Block SBR BL/Black C PLO8B-KM	
C18	1000463037	Tube Cap EPDM+PP BL/Black C 50.5x100	
C23	067941-C	Cap 25x50x3.0T GM20	
C27	1000098050	Pulley Cover Small Base ABS GM40	
C31	1000215775	PLASTIC COVER ADJ PLATE PP GM61	
C32	089358	Cover Pulley GM27	
C33	1000210463	Stopper Plate Cam SPHC 120x26x3T GM40	
C35	096165	Adjustment Grip Set - APPLY RED LOCTITE TO PIN THREADS WHEN INSTALLING REPLACEMENT HANDLE	
C41	096177	ADJ Plate Leg Pad GM45	
C46	009356-B	Stopper Mast Foam AL6061 GM03	
C59	009371-E	Cap Grip GM03	
C65	1000090998	Axle GM45	
C80	1000090006	End Cover Seat Tube Sleeve	
D06	1000200641	ADJ PLATE LEG PAD ADJUSTABLE - SPHC - GM	
D11	1000110841	Grip Pedal Arm wrap rubber GM42-KM	
D12	096208	Adjustment Handle Lower Stopper Ring	
D15	096209	Cap Grip Peadal Arm ADC12 GM42	
D16	1000372009	Axle, Swivel Leg Pad 45# Chrome GM105 D	
D17	1000108801	Screw RND M5x0.8Px15L HS CHM BP G8.8	
D20	1000201207	Plastic Cover ABS DG GM61	
D26	020329-00	Set Screw M6X1.0PX12L	
D27	1000394065	Pulley Fixing Plate Pulley painting Ic	
D29	1000216133	BALANCE PLATE - 10.4KG - - HT200	
D30	1000371997	Buffer Block Stopper NBR GM105	
F10	1000372006	Steel Rope-Extrawork Press Rope Hand D	
F14	090443	Key Flat 10X8X20L GM30	
G09	1000394134	Support Plate painting Iced Sliver GM	
G10	1000394128	Fixing Plate RD painting Iced Sliver G	
G16	1000394122	Fixing Plate CON Tube painting Iced SI	
Grip Set	1000108698	PREMIUM - Grip Set Arm GM42	Premium Kit
H08	1000095593	Cap Leg Pad ABS GM42	

H09	1000095594	Cap Leg Pad ABS GM42
H10	100995	Stopper Ring Leg Pad ABS GM42
H12	1000209696	FOAM HANDLEBAR Diam.34X5.0TX120L GM61-KM
H13	096074	Stopper Ring Cap AL6061 GM42
H15	1000102675	Stopper Block Pull Pin GM43
H25	1000304394	Bousing Round Pad - PVC 60x52x30.1L GM
J04	1000096536	Sleeve Tube Round Pad PVC GM44
J40	1000107219	Pulley Cover Small Base ABS GM44-KM
K06	1000393190	Fixing Pin Rop 45# Chrome GM101-KM 27.
K07	1000113102	Guide Rod SUS304 Diam.6X1421.7 GM59
K15	1000204997	Steel Weight Plate Up 1080 Spring Steel
K17	1000202352	Cushion Guide Rod
K31	1000218377	WASHER FLT Diam.16.2XDiam.37.0X1.5T - BA
K37	1000209625	GUIDE ROD 45 - WEGHT PLATE
K38	1000102915	Circlip E Type E-15 Cr Plate
K42	1000215659	BUSHING GUIDE ROD POM
K44	1000102912	Circlip External C Type S-30 BED
K47	1000396915	Nut Nylon M14x2.0P Grade 12.9 Chrome
K48	020509-A	Washer Diam.12.5XDiam.25.0X1.0T Chrome
L02	1000113107	Axis Sheath Leader GM59
L03	1000211166	PLASTIC BASE ADD WEIGHT PLATE POM GM5
L04	1000210485	SCREW SET M5X0.8PX6L FLAT POINT HS G8.8
L05	1000200264	GRIPE ABS+TPR GM59
L06	084241	Screw Set M6X1.0PX5L BP POT
L10	1000201802	PULL PIN SET WPS GM62 -
L11	1000207213	COVER INCREMENTAL WEIGHT ABS - - -
L13	070571	Washer Flat 5.2X10.0X1.5T CHM
L14	1000108803	Screw RND M5x0.8Px12L HS CHM BP G8.8
L15	1000209576	PLASTIC BASE MAGNET ABS FIXING
L28	1000224913	Cushion Aaw Nbr BI
L31	1000232864	PERMANENT MAGNET - 1500## ##
N01	1000217603	STOPPER PIECE INDUCTOR - SPHC ZH GM40
N61	1000229510	WIRE DISPLAY BOARD -- OKI HARBOR 2.5-
N62	1000096575	Overlay Manipulate GM40

Not Shown	1000372014	Hardware Set Semi-Assy GM105	
Not Shown	1000372023	Label set Semi-Assy GM105	
Not Shown	1000395846	Label set Semi-Assy French GM105	
Not Shown	1000393356	Manual Fram Manual NA and Europe GM105	
Not Shown	1000393355	Manual Assembly NA and Europe GM105	
Not Shown	ZMS4007171	Decal, QR, VS-S711 Leg Exention/Leg Curl	
Not Shown	1000372022	Premium Level Semi-Assy GM105	Kit with all premium parts.
Pull Pin AJ4	1000226575	PREMIUM - PULL PIN SET SERVICE GM61 ONE	Premium Kit
Pull Pin AJ5	1000226576	PREMIUM - PULL PIN SET GM61 TWO	Premium Kit
Pull Pin AJ6	1000226577	PREMIUM - PULL PIN SET SERVICE GM61	Premium Kit
Q01	1000113113	Cover Up ABS GM59	
Q02	1000113114	Cover Front Clarity ABS GM59	
Q07	1000209577	PLASTIC BASE REP COUNTER - FIXING	
Q08	1000390201	PREMIUM - REP COUNTER right GM61/GM64/GM65/	
Q09	1000209593	END CAP ACCENT	
Q10	1000224767	Plastic Cover - - PP - - - -	
Q12	1000209591	PLASTIC BAR - PVC - LABEL	
Q13	1000303486	Clamp Cover -	
Q40	1000096514	Control Board Matrix H102 S1.60 GM40	
Q42	ZMS4001255	Battery, AA for console	
Q42	ZMS4001255	Battery, AA for console	
Q44	001679-00	Tie Strap Adhesive Nylon 66 HC-101 W	
Q45	005811-00	Cable Tie Nylon Black 160L	
Rep Counter Se	1000200250	PREMIUM - REP COUNTER	Premium Kit
Rep Counter Se	1000390201	PREMIUM - REP COUNTER right GM61/GM64/GM65/	Premium Kit
S20	1000371637	Shim Pedal Arm POM GM105 Diam.41.8xDia	
Shield Set	1000220477	PREMIUM - SHIELD SET U GM59 -	Premium Kit
V02	1000372042	Instructional Labe Cover PC Rear GM10	
V02	1000395850	Instructional Labe Cover PC Rear Frenc	
V03	1000215718	SPEC LABEL 10 LB WEIGHT PLATE BLACK PC	
V04	1000409123	Direction Label Weight Plate 230lbs/140k	
V05	1000215704	MARKING GM59-KM	
V07	1000372041	Instructional Labe Cover PC Front GM1	
V07	1000395848	Instructional Labe Cover PC Front Fren	

V08	093501	Warning sticker small GM40-KM
V08	1000224911	WARNING LABEL FRENCH SMALL GM01
V09	1000215779	DIRECTION LABEL PC GM61
V10	1000215728	DIRECTION LABEL SEAT ADJUSTABLE PC
V11	1000224662	DIRECTION LABEL ADJUSTIC SMALL PC - GM61
V12	1000372026	Direction Label Adjustic PC English G
V13	1000221799	DIRECTION LABEL AAW - PC -
V17	1000109127	Decal Pinch Point MS21KM-G3
V18	1000100362	Sticker Leg Press ADJ GM45-KM
V33	1000363760	Warning Label Frame PC English GM40
V33	1000363766	Warning Label Frame PC French GM40
V34	1000372045	EN LABEL GM105
Z01	020096-00	Screw Hex Socket Round M8x1.25Px15L Chromed
Z03	089848	Screw Hex Socket Round M10x1.5Px50L Adhe
Z04	020379-00	Nut Hex M8X1.25P SS41 CHM
Z05	096073	CON Plate Cap SPHC3.0t GM42
Z06	005145-AC	Washer Flat 8.2x19.0x2.0T Chromed
Z07	098577	SCREW HEX M8X1.25X35L
Z08	020127-AC	Screw SH M8X1.25PX12L HS CHM
Z09	004555-AB	Screw Hex Socket Round M10x1.5Px25L Cr A
Z10	004694-AC	Screw Hex Socket Flat M8x1.25Px10L
Z11	1000105259	Screw Round M10x1.5Px105L Hex Socket G12
Z12	1000231572	SCREW SH M10X1.5PX20L HS BP CHM
Z15	070970	Screw SH M10X1.5PX80L HS CHM
Z16	020465-AB	Washer Flat M10.2X25PX2.0T Chromed
Z17	005144-AC	Washer Flat 10.2X35.0X2.0T Chromed
Z18	004518-00	Screw SH M10X1.5PX75L HS CHM
Z19	1000106726	WASHER FT 10.2X22X3 CHM
Z20	004549-00	Screw Hex Socket Round M10x1.5Px55L Cr
Z21	1000104779	Screw BH ?p4x20L TC PH - BZN F-T/FLT G4.
Z22	1000097206	Screw SH M8X1.25PX25L HS CHM BP
Z23	020196-A	Screw Phillip BH Tapped 3x6L Zn-BL
Z24	1000090321	Screw BH 4X15L TC PH G8.8 BAN POT
Z25	1000098556	Washer Wavy 30.5X39.2X0.4T

Z26	1000104691	Screw RND M10x1.5Px30L HS G12.9 CHM BP	
Z27	020081-00	Screw SH M8X1.25PX60L HS G12.9	
Z28	1000381738	Shim Swivel SS41 Chrome GM103-KM	
Z29	1000098554	Washer Flat 10.5X42X1.5T SPHC WZN	
Z30	020117-AD	SCREW SH M10X1.5PX125L HS CHM	
Z31	020489-A	Washer Arc 10.2x20.0x1.5t Chromed	
Z32	0000083458	Washer Lock 8.2x13.5x2.0t	
Z43	1000105174	Nut Nylon M10x1.5P G12.9 CHM	
Z44	1000104672	Screw BH M5x0.8Px10L HS CST CST CST CHM	
Z50	004855-AC	Set Screw M6X1.0PX4L	
Z51	020126-ZC	Screw Settle Seat M8x25L Cr	
Z65	1000492330	Fixing Axle Sleeve1 17x5.0L BZN FW524	
Z66	040816-A	Screw Phillip BH Tapped 3x8L	
1	1000393999	Handle set Semi-Assy Iced Sliver GM10	
AB1	1000393966	Frame Set painting Iced Sliver GM105	
AC1	1000393993	base set painting Iced Sliver GM105 S	
AC12	1000394017	User frame set Semi-Assy left Iced Slive	
AG1	1000394041	Disassembly connect set M painting Ice	
AG3	1000394029	Connecting Set U painting Iced Sliver	
AG4	1000394035	Connecting Set Rear painting Iced Sliv	
AH11	1000400880	Adjustment Arm Set Leg Pad GM105 paint	Part of Kit
AT1	1000394000	Handle set painting Iced Sliver GM105	Part of Kit
C17	See Pad Matrix	Leg Pad Front PU,Vesicant GM44-KM	
C19	1000215773	Axle Leg Pad 45# Chrome GM61	
D08	1000200764	Axle Pull pin 2 45# Chrome GM61 16x71.5	
D09	1000200622	Axle Pull pin 1 45# Chrome GM61 16x102	
F12	1000371667	Ornament Adjustable Plate SPHC 3.0t CHM	Part of Kit
H18	1000209694	PULL PIN LEG PAD	
J18	See Pad Matrix	Wear Cover	
J19	See Pad Matrix	Back Pad Middle PU,Vesicant GM59-K	
J21	See Pad Matrix	Round Pad PU,Vesicant GM44-KM	
J22	1000205013	Ring Pull pin SPHC White Zinc GM59-KM	
J25	See Pad Matrix	Seat Pad PU GM08KM-G3	
J48	See Pad Matrix	Wear Cover	

L01	1000396859	Increment Weight Plate painting Iced	
Pull Pin AJ3	1000371985	Pin set Semi-Assy GM105	Premium Kit
Q11	1000209571	GripEnd Cover ADC12 ADC12	Part of Premium Kit
AJ1	1000200761	BACK PAD ADJUST SET - - WELD GM61	Discontinued - order kit 3
AJ5	1000226574	PULL PIN SET SERVICE GM61 TWO	Discontinued
C18	1000371560	Cap Elliptical TPU Diam.50.0xDiam.100.	Discontinued
Q08	1000215769	Plastic Cover - - TPR - - - -	Discontinued
Q42	1000096574	Lithium and Iron Disulfide Battery	Discontinued
Z06	005040-AB	Washer Flat 8.4X15.5X1.6T	Discontinued
Z09	004522-00	Screw SH M10X1.5PX25L HS CHM	Discontinued
Z65	008234-C	Bushing Fixed Plate	Discontinued
Z65	1000480948	Fixing Plate Sleeve1 20# 16x16x3.0T BOX	Discontinued